

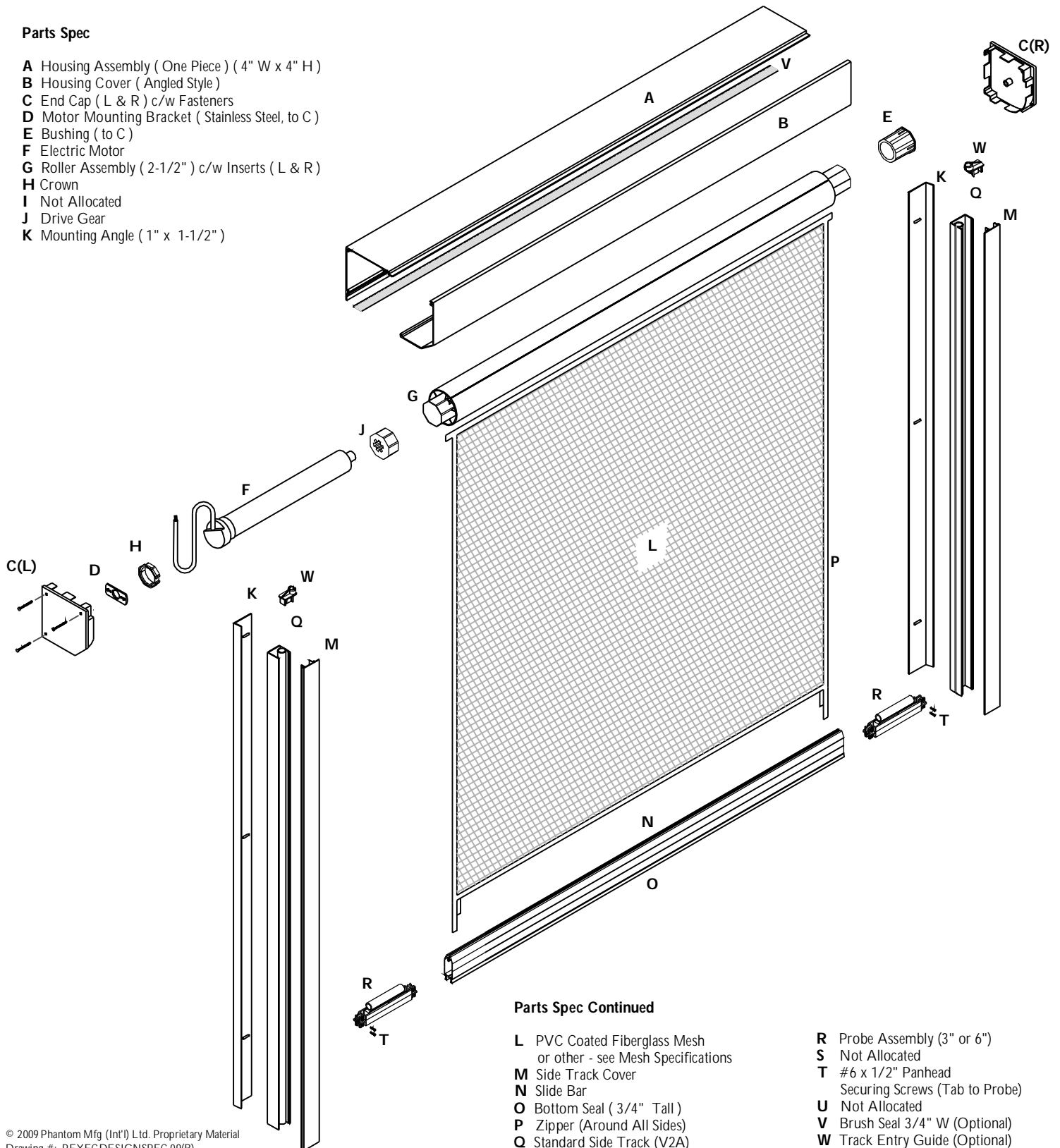
# SMALL EXECUTIVE DESIGN SPECIFICATIONS - SYSTEM WITH STANDARD SIDE TRACK

## (Exploded View)

FOR ILLUSTRATION PURPOSES - NOT DRAWN TO SCALE

### Parts Spec

- A Housing Assembly ( One Piece ) ( 4" W x 4" H )
- B Housing Cover ( Angled Style )
- C End Cap ( L & R ) c/w Fasteners
- D Motor Mounting Bracket ( Stainless Steel, to C )
- E Bushing ( to C )
- F Electric Motor
- G Roller Assembly ( 2-1/2" ) c/w Inserts ( L & R )
- H Crown
- I Not Allocated
- J Drive Gear
- K Mounting Angle ( 1" x 1-1/2" )



### Parts Spec Continued

- L PVC Coated Fiberglass Mesh  
or other - see Mesh Specifications
- M Side Track Cover
- N Slide Bar
- O Bottom Seal ( 3/4" Tall )
- P Zipper (Around All Sides)
- Q Standard Side Track (V2A)
- R Probe Assembly (3" or 6")
- S Not Allocated
- T #6 x 1/2" Panhead  
Securing Screws (Tab to Probe)
- U Not Allocated
- V Brush Seal 3/4" W (Optional)
- W Track Entry Guide (Optional)