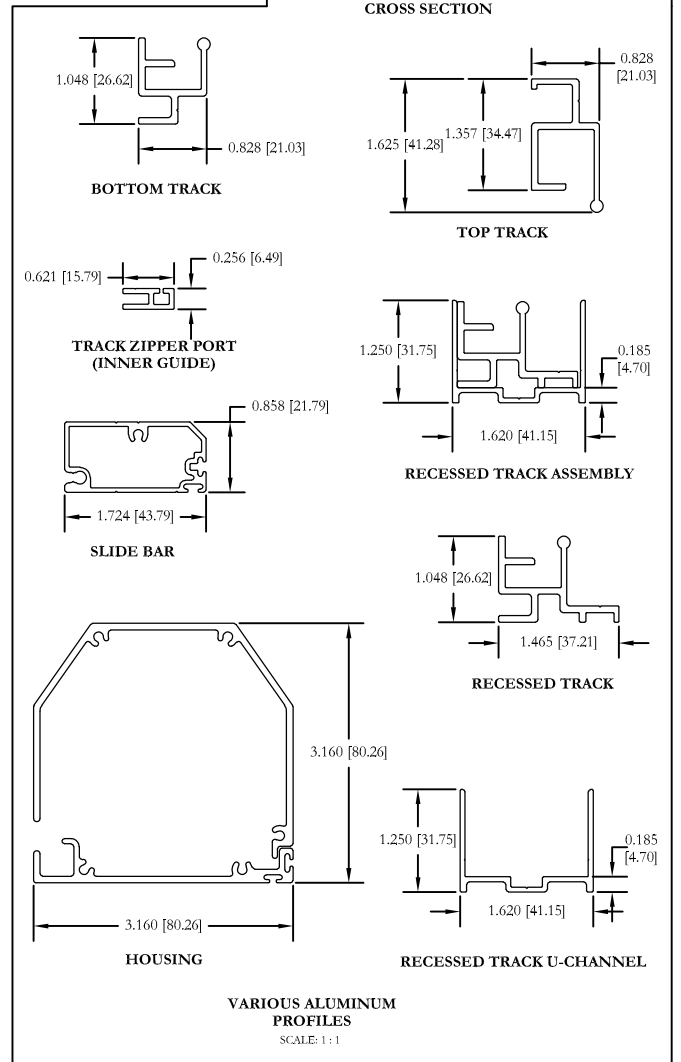
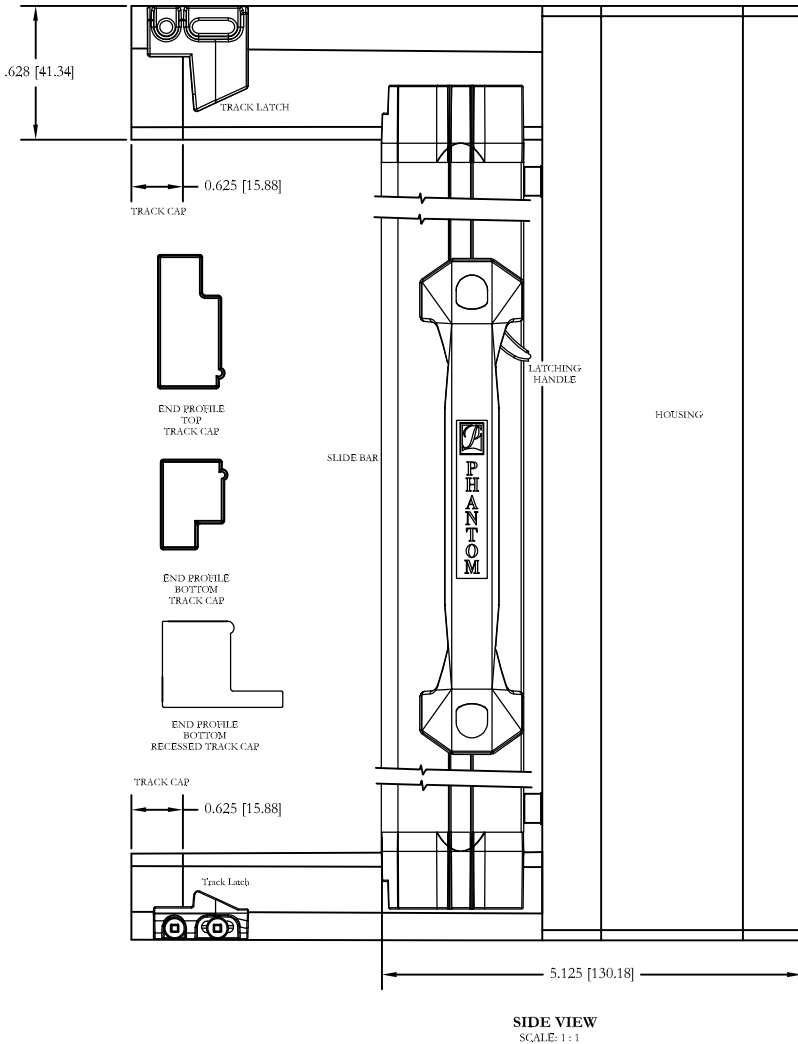
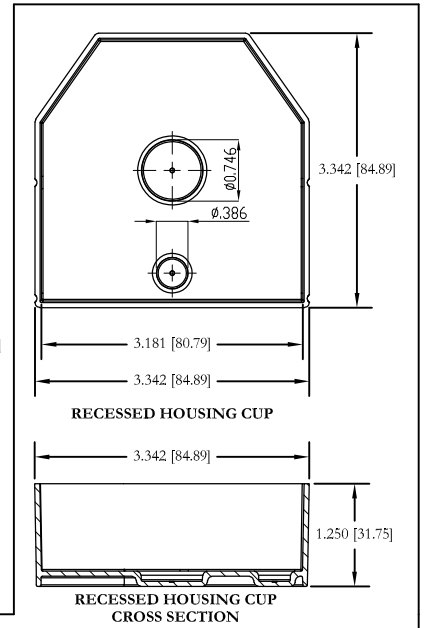
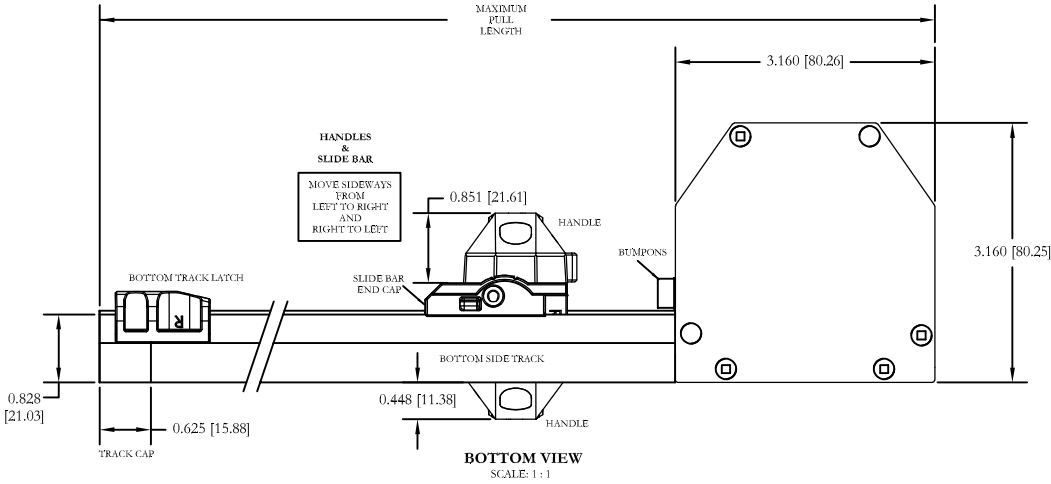


MANUAL WALL SCREEN

Detail Views

ALL DIMENSIONS ARE SHOWN IN INCHES WITH MILLIMETERS IN BRACKETS



NOTE(S):

1. DRAWINGS SUBJECT TO CHANGE
2. PDF DRAWINGS ARE NON-SCALABLE ON A SHEET THIS SIZE
3. FOR TO SCALE AUTOCAD DRAWINGS REFER TO WEB SITE

Rev #	Description of Revision	Appr. by	Rev Date
Rev 2	Addition of XL Track Cap	N.D.R.	09/20/2018
Rev 1	Addition of Zipper Port to parts list	N.D.R.	01/22/2018

Creator: NDR	Date: 05/29/17	Revision: Rev: 02
Drawing Title: PSMANUALWALLSCREEN-02		
© 2017 Phantom Mfg. Intl Ltd.		Scale: As Shown