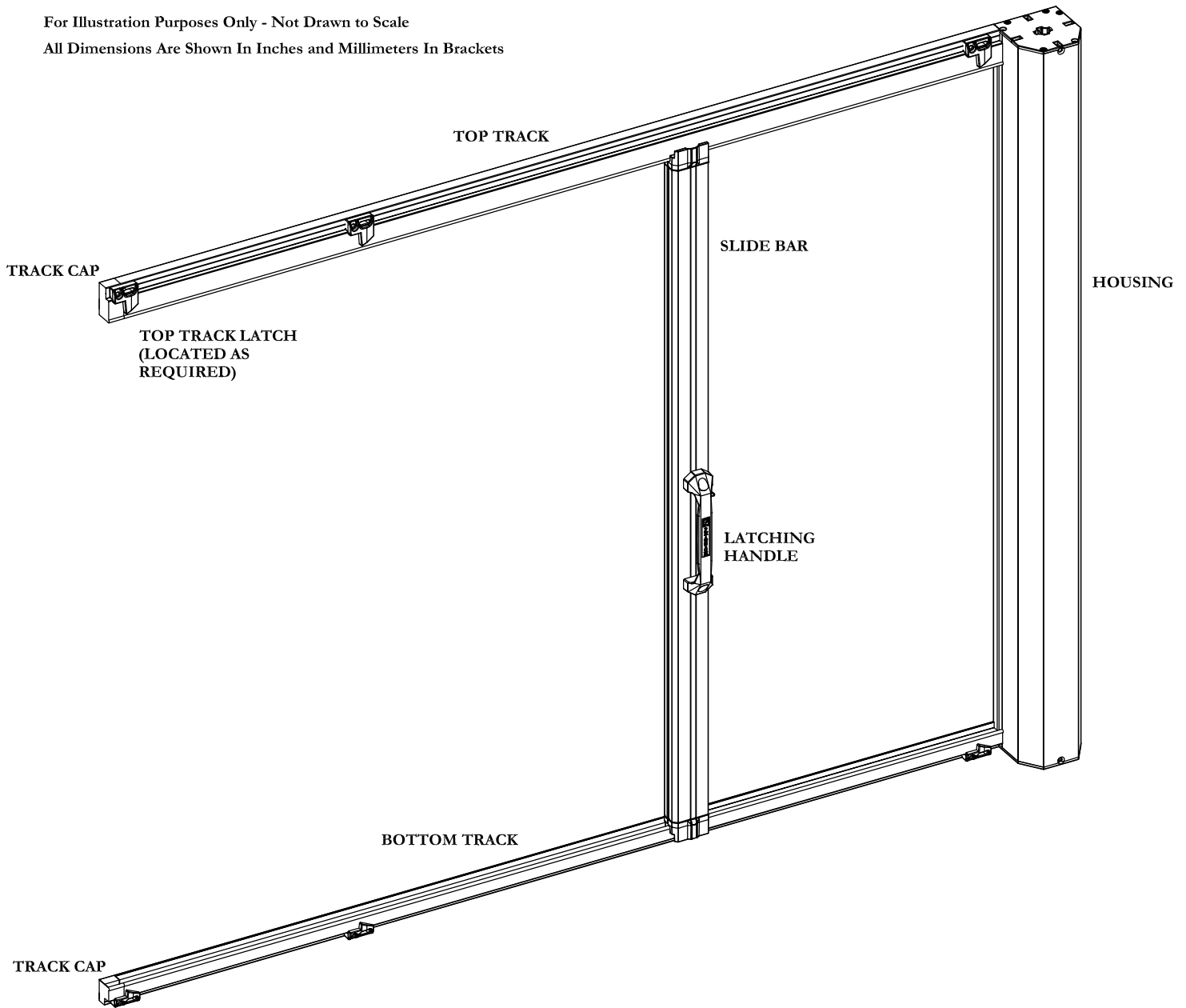


MANUAL WALL SCREEN - STANDARD

(External Assembled View)

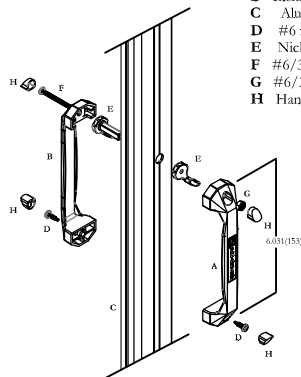
For Illustration Purposes Only - Not Drawn to Scale
 All Dimensions Are Shown In Inches and Millimeters In Brackets



BOTTOM TRACK LATCH (LOCATED AS REQUIRED)

Parts Spec

- A Outside Nylon Handle
- B Inside Nylon Handle
- C Aluminum Slide Bar
- D #6 x 1/2" (#6 x 13mm) Panhead TEK Screw
- E Nickel Plated Zinc Lever Components
- F #6/32 x 1-5/8" S.S. Bolt
- G #6/32 Locknut S.S.
- H Handle Screw Caps (2 Per Handle)



DETAIL OF THE LATCH AND RELEASE HANDLE IN RELATION TO THE SLIDE BAR

NOTE(S);

1. FOR INDIVIDUAL COMPONENT OVERALL SIZE SEE DRAWINGS - PSMANUALWALLSCREEN-02

| | | | |
|-------|---|--------|------------|
| Rev 2 | Addition of the "NEW" Track Cap | N.D.R. | 09/26/2018 |
| Rev 1 | Revision of part and title descriptions | N.D.R. | 01/22/2018 |

| Rev # | Discription of Revision | Appr. by | Rev Date |
|-------------------------------|-------------------------|-----------|----------|
| Creator: | Date: | Revision: | |
| NDR | 02/16/17 | Rev: 02 | |
| Drawing Title: | | | |
| PSMANUALWALLSCREENSTANDARD-01 | | | |
| © 2017 Phantom Mfg. Intl Ltd. | | | Scale: |
| | | | NTS |