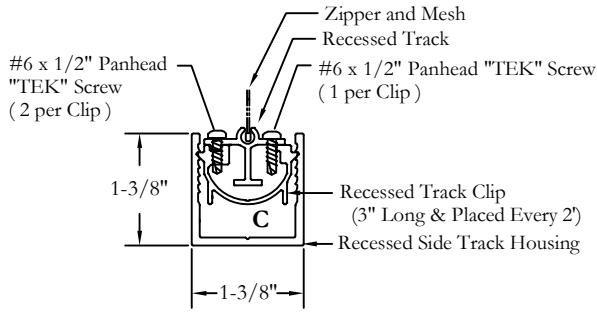


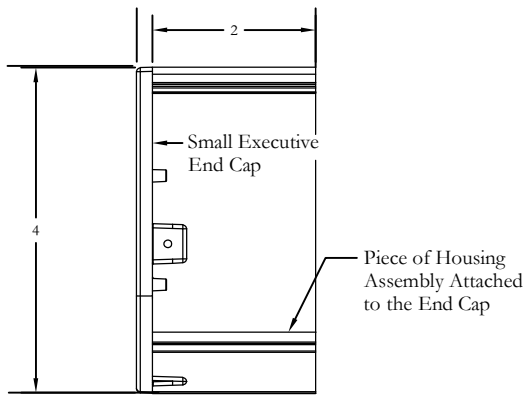
Small Executive Design Specifications- System With Recessed Side Track

(External Assembled View)

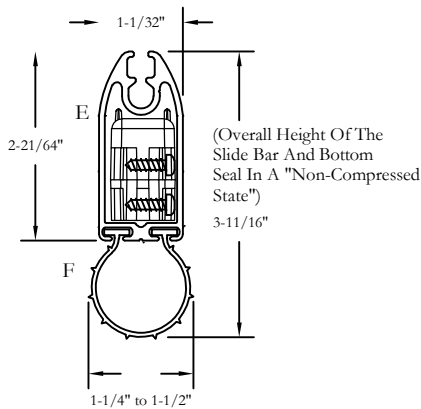
FOR ILLUSTRATION PURPOSES ONLY - ONLY CROSS SECTIONS DRAWN TO SCALE



**CROSS SECTIONAL VIEW
OF THE FULLY ASSEMBLED
RECESSED SIDE TRACK**



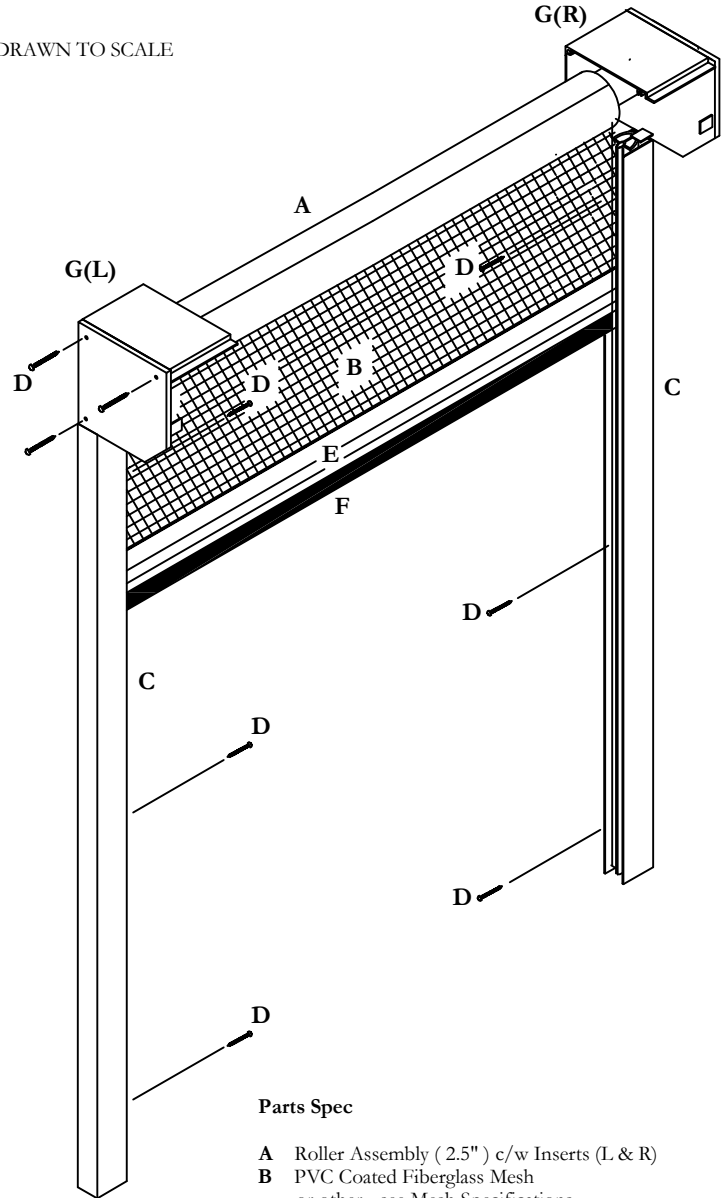
**SIDE VIEW
OF THE FULLY ASSEMBLED
RECESSED END CAP AND
HOUSING ASSEMBLY**



(Based On Compression)
**CROSS SECTIONAL VIEW
OF THE SLIDE BAR AND
OPTIONAL 4" BOTTOM SEAL**

Scale: 1 : 1

Note:
For Bottom Seal options see Parts Spec Item G.



Parts Spec

- A Roller Assembly (2.5") c/w Inserts (L & R)
- B PVC Coated Fiberglass Mesh or other - see Mesh Specifications
- C Recessed Side Track Assembly (1-3/8"W x 1-3/8"H)
- D #8 or #10 Corrosion Resistant Fastener
Type and length of screws may vary depending on type of mounting surface (Minimum of 3 per Side Track and Roller Mounting Angle)
- E Slide Bar c/w Probe Assembly
- F Bottom Seal: availability
Brush Pile 3/4" (Black Only)
3/4" and 6" Vinyl (Black and Grey)
- G Recessed End Cap Housing Assembly

Discription of Revisions:

1. Change Slide Bar and Probe to Universal Version.
2. Revised Housing position.

| | | |
|--|---------------------|----------------------|
| Creator: NDR | Date: 09/05/2013 | Revision: Rev: 02 |
| Drawing Title: PSEXECPRODDESIGNSPEC10(A) | | |
| © 2013 Phantom Mfg. Intl Ltd. | | Scale: As Shown |

All components are color matched except Mesh, Rivets, and Brush Pile.